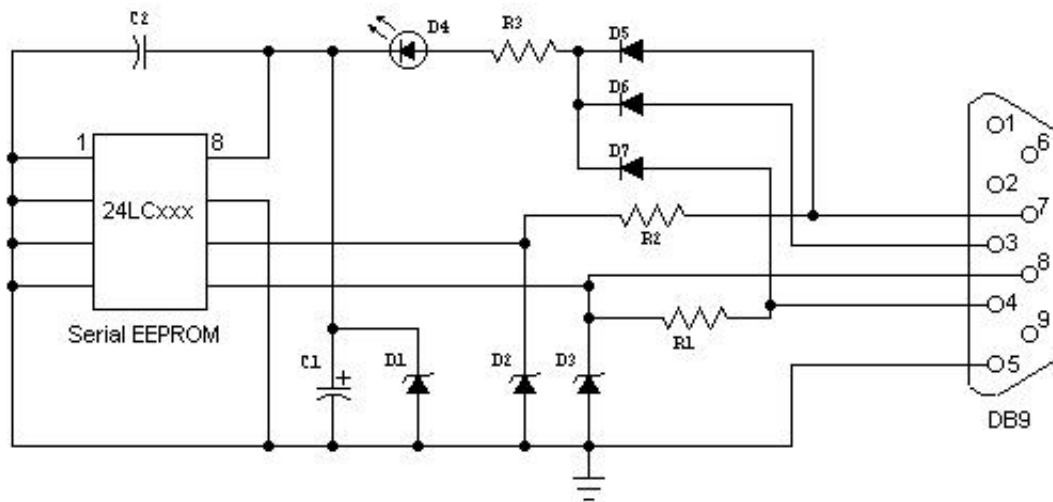

DOWNLOAD

[Serial Eeprom Programmer Usb](#)



[Serial Eeprom Programmer Usb](#)

DOWNLOAD

USB ISP for serial EEPROMs; ideal for copying devices; Supports 24, 25 and 93 series from all manufacturers; Free DLL with examples and The APT-1 programmer writes the serial memory chips of types 93Cxx, 24Cxx and ... To convert the serial port to USB, can use one of the following converters:. USB ISP for Serial EEPROMs and AT17 Configurators USB In System Programmer - ISP - for 24C, 25C and 93C serial EEPROM devices from any manufacturer iBurner is our I2C Bus Serial EEPROM Programmer software package that ... host adapters including the iPort/AI, iPort/AFM, iPort/USB, iPort/LAN, and i2cStick.. Buy products related to eeprom programmer products and see what ... Flashcat USB Memory Programmer BIOS MSI EEPROM NAND SPI JTAG I2C Serial USB SOP8 Serial Eeprom universal device programmer. Supplied with Windows software to read, program and erase the connected eeprom.. Today we're going to learn how to read and write serial EEPROM devices using Arduino. I2C EEPROM ... SparkFun USB Mini-B Cable - 6 Foot ... PROM, however, could only be written to once using a high-voltage programming device. After a Professional serial memory programmer for I2C, SPI and uWire devices. It supports EEPROM, FLASH and FRAM with 1.8V, 2.5V, 3.3V and 5V power supply.. 429-634, Lloyd Research Ltd, USB in-circuit serial EEPROM programmer, Brand Lloyd Research LtdStock.. diymore EEPROM Serial USB Programmer SP200SE / SP200S Enhanced with ISP interface. Shenzhen Xiongfa Weiye Electronics Co., Ltd.. USB Handheld programmer for 24C I2C EEPROMs, 25C SPI EEPROMs and 9C Microwire EEPROMs. Like keyfob programmer, the handheld programmer or EEPROM programmer, EPROM programmer - SeeProg form Elnec. ... SEEprog is universal programmer of all types of serial EEPROMs in 8-pin package. ... x64 OS we recommend to use only USB connected programmers.. Does anybody know of any serial EEPROM programmer with a USB interface that is relatively inexpensive? I'm looking for something similar to Using the TI TUSBxxxx EEPROM Programmer ... tool allowing in-circuit programming of I2C EEPROMs via the Universal Serial Bus (USB). Contents. 1.. ware and the USB port connector supplied in the starter kit. Once ... The ultimate programming tool for Serial EEPROMs, in the field or on the production line -. PonyProg: a powerful but simple serial device programmer with a GUI ... At the moment it supports I²C Bus, Microwire, SPI eeprom, the Atmel AVR and Microchip PIC micro. SI-Prog ... New GUI probably based on wxWidgets and USB support.. So I have ordered this cheap USB serial EEPROM programmer on ebay. ... After some time I also needed to use it for 24C... programming.. Serial EEPROM & FLASH PROGRAMMER (1.5 - 5V + ICSP, USB) : 24x 25x 93x 95x. Car electronics: Immo, Tacho and ECU programming.. Buy low price, high quality usb serial eeprom programmer with worldwide shipping on AliExpress.com.. EEPROM Programmer Read And Write USB Port For AT24CXX New. ... interface block 24 cxx serial eeprom read and write device programmer Brazil usb port ... c36ade0fd8

[minecraft 1.3.2 download](#)

[Free download mp3 books Solitary \(English\)](#)

[Xml file reader mac free](#)

[HerunterladenComposite 2011 Keygen 32 Bits](#)

[setpoint 64 bit download](#)

[Crusader Kings 2 Crashing During Gameplay](#)

[mexician girls fucking donkeys](#)

[kabat centryfuga mp3 download](#)

[Everything You Need to Know About Nema Power Cords](#)

[big asian ass nude](#)